

Pit Bull™

mining series direct drive reels

PAT PEND



HEAVY DUTY - COMPACT - NEW PATENTED DRIVE SYSTEM

" If you think all direct drive reels are the same, you haven't seen a PIT BULL; here's why: - "

- 🔊 A totally **NEW** all Australian design incorporating World Wide patent pend. features.
- 🔊 Full hot dip galvanising to all frame and disc components for maximum corrosion protection.
- 🔊 **Multi** positional mounting, allows PIT BULL™ to be easily mounted and adapted to some **pre-existing** footprints.
- 🔊 Unique **Australian** Designed Gearbox and drive mechanisms, eliminated need for external gearbox and produces a **Safer** rewind speed. PAT. PEND.
- 🔊 The narrowest reel on the market, even in larger hose capacities is some **50mm Narrower** than our competitors.
- 🔊 **Stainless fluid path/hose guide** standard on **ALL** reels *"no extra cost"* for corrosion resistance.
- 🔊 Patented **Quick Change Hub** Technology means any PIT BULL™ reel can be changed to suit various hose sizes and diameters in minutes! Why buy and stock totally different reels, when **one reel will do it all.**
- 🔊 **Heavy Duty modular construction** can be used on all indoor, underground and outdoor applications. Can be shipped complete or knock down forms for easy assembly. **Save \$\$\$** in freight costs!

APPLICATIONS

- **Water & Potable Water**
- **Air • Waste • Fuel**
- **Oil • Grease**
- **Wash Down**



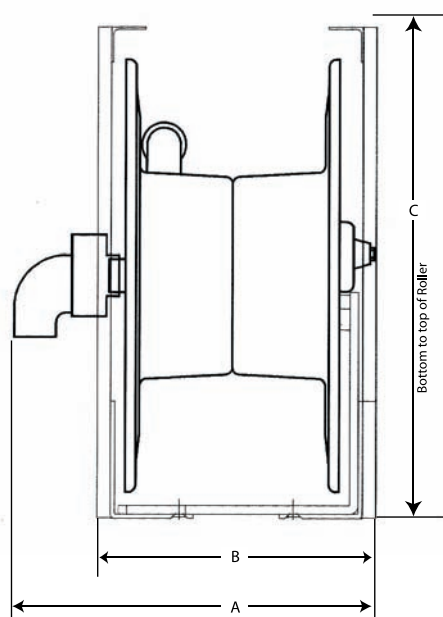
Quick Change Hub Systems

Change Hub Sizes in MINUTES



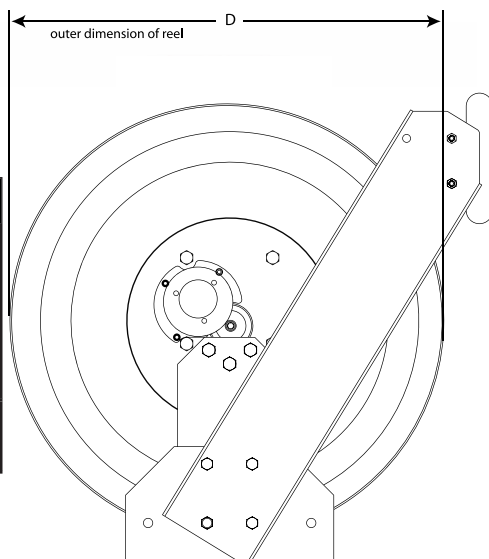
CUSTOM DIRECT DRIVE REELS A SPECIALITY

Hose Reel shown with arm and hose guide in centre top position other positions available.



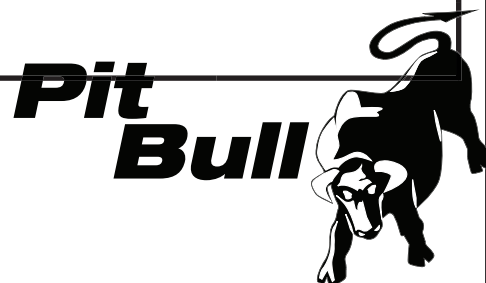
Direct Drive Reel Dimensions

Dimensions	1"	1½"
A (mm)	440	532
B (mm)	375	375
C (mm)	725	725
D (mm)	630	630
Net Weight (kg) less hose	62	67.5



Customise your Standard Reel Stock!

Other disc sizes and disc spacers available on request



FEATURES

- *Direct Drive Air / Hydraulic*
- *Patented Compact Drive System*
- *Quick Change Hub Technology*
- *Hot Dip Galvanised Standard*
- *Heavy Duty Modular Construction*
one basic design suits all applications, can be shipped as knock down
- *Stainless Fluid Paths Standard on all Reels*

HOSE SIZE	CAPACITY approx	*HUB SIZE	OPERATING PRESSURE
1" I.D.	28m	1" full flow (NPT)	5,000 psi standard
1¼" I.D.	22m	1½" full flow (NPT)	600 psi standard
1½" I.D.	18.5m	1½" full flow (NPT)	600 psi standard
2" I.D.	10m	2" Full Flow (NPT)	600 psi standard
Other sizes and capacities available on request			

* NOTE all Quick Change Hub Options in Stainless

* Hose capacities based upon evenly wrapped standard, always consult hose bend radius

*Air motors must be supplied with clean/lubricated air



REEL TECH
Toughest for the Roughest

www.reeltech.com.au

AUSTRALIA

Melbourne 1-8 / 27 Shearson Crescent, Mentone, Vic 3194

Ph +61 (0)3 9583 2368 Fax +61 (0)3 9585 0218

Sydney Ph +61 (0)2 9533 4690 Fax +61 (0)2 9533 4748

Email sales@spraynozzle.com.au

NEW ZEALAND

PO Box 9549, Waikato Mail Centre, Hamilton, New Zealand 2001

Phone +64 (0) 7 839 6444 Fax +64 (0) 7 839 6445

Email spraynozzlenz@xtra.co.nz

Distributed by:

Warranty: Manufacturer will replace, repair or refund the purchase price of The Product at their option, free of charges, except transportation, if defective in their manufacture. Claims must be notified to the manufacturer within 30 days of sale or shipment either of which occurs first. Product should be returned to the place of purchase. Warranty void if not serviced by authorised agent.

This warranty is exclusive remedy and the Manufacturer/Distributor shall not be liable for consequential damages, injury or commercial loss. The Manufacturer/Distributor makes no warranty of fitness for a particular purpose and makes no other warranty, express or implied arising from the course of dealing or usage in trade. Specification subject to change without notice.